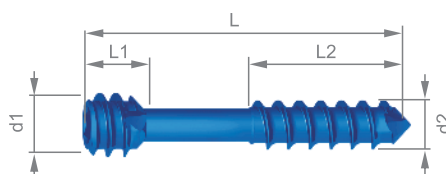


**WKREŃ KOMPRESYJNY KANIULOWANY
COMPRESSION CANNULATED SCREW**

ø 3,0 ø 3,9 mm

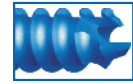
L (mm)	L1 (mm)	L2 (mm)	Nr kat.
12	3,5	4	X-01-74-12
14	3,5	6	X-01-74-14
16	3,5	8	X-01-74-16
18	4	9	X-01-74-18
20	4	10	X-01-74-20
22	4	11	X-01-74-22
24	4	12	X-01-74-24
26	4	13	X-01-74-26
28	4	14	X-01-74-28
30	4	15	X-01-74-30



**WKREŃ KOMPRESYJNY LITY
SOLID COMPRESSION SCREW**

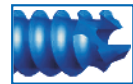
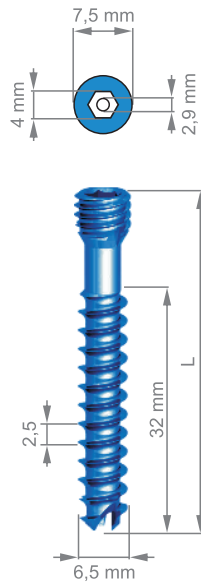
L (mm)	L1 (mm)	L2 (mm)	d ₁ =3,2mm d ₂ =2,5mm	d ₁ =3,9mm d ₂ =3,0mm
12	3,5	4	X-01-75-12	X-01-76-12
14	3,5	6	X-01-75-14	X-01-76-14
16	3,5	8	X-01-75-16	X-01-76-16
18	4	9	X-01-75-18	X-01-76-18
20	4	10	X-01-75-20	X-01-76-20
22	4	11	X-01-75-22	X-01-76-22
24	4	12	X-01-75-24	X-01-76-24
26	4	13	X-01-75-26	X-01-76-26
28	4	14	X-01-75-28	X-01-76-28
30	4	15	X-01-75-30	X-01-76-30

**WKREŃ KOMPRESYJNY
KANIULOWANY
COMPRESSION
CANNULATED SCREW**



L (mm)	⊙	L (mm)	⊙
30	X-01-264-30	95	X-01-264-95
35	X-01-264-35	100	X-01-264-100
40	X-01-264-40	105	X-01-264-105
45	X-01-264-45	110	X-01-264-110
50	X-01-264-50	115	X-01-264-115
55	X-01-264-55	120	X-01-264-120
60	X-01-264-60	125	X-01-264-125
65	X-01-264-65	130	X-01-264-130
70	X-01-264-70	135	X-01-264-135
75	X-01-264-75	140	X-01-264-140
80	X-01-264-80	145	X-01-264-145
85	X-01-264-85	150	X-01-264-150
90	X-01-264-90		

**WKREŃ KOMPRESYJNY
KANIULOWANY
COMPRESSION
CANNULATED SCREW**



L (mm)	⊙	L (mm)	⊙
45	X-01-265-45	100	X-01-265-100
50	X-01-265-50	105	X-01-265-105
55	X-01-265-55	110	X-01-265-110
60	X-01-265-60	115	X-01-265-115
65	X-01-265-65	120	X-01-265-120
70	X-01-265-70	125	X-01-265-125
75	X-01-265-75	130	X-01-265-130
80	X-01-265-80	135	X-01-265-135
85	X-01-265-85	140	X-01-265-140
90	X-01-265-90	145	X-01-265-145
95	X-01-265-95	150	X-01-265-150

**WKREŃ KOMPRESYJNY
KANIULOWANY
COMPRESSION
CANNULATED SCREW**



L (mm)	A (mm)	⊕	L (mm)	A (mm)	⊕
9	4	X-01-271-09	23	4	X-01-271-23
10	4	X-01-271-10	24	5	X-01-271-24
11	4	X-01-271-11	25	5	X-01-271-25
12	4	X-01-271-12	26	5	X-01-271-26
13	4	X-01-271-13	27	6	X-01-271-27
14	4	X-01-271-14	28	6	X-01-271-28
15	4	X-01-271-15	29	6	X-01-271-29
16	4	X-01-271-16	30	7	X-01-271-30
17	4	X-01-271-17	32	7	X-01-271-32
18	4	X-01-271-18	34	8	X-01-271-34
19	4	X-01-271-19	36	9	X-01-271-36
20	4	X-01-271-20	38	9	X-01-271-38
21	4	X-01-271-21	40	10	X-01-271-40
22	4	X-01-271-22			



**WKREĆ KOMPRESYJNY
KANIULOWANY
COMPRESSION
CANNULATED SCREW**



L (mm)	A (mm)	☼	L (mm)	A (mm)	☼
14	5	X-01-272-14	26	10	X-01-272-26
16	5	X-01-272-16	27	10	X-01-272-27
17	6	X-01-272-17	28	10	X-01-272-28
18	6	X-01-272-18	29	10	X-01-272-29
19	7	X-01-272-19	30	12	X-01-272-30
20	7	X-01-272-20	32	12	X-01-272-32
21	8	X-01-272-21	34	14	X-01-272-34
22	8	X-01-272-22	36	14	X-01-272-36
23	8	X-01-272-23	38	16	X-01-272-38
24	8	X-01-272-24	40	16	X-01-272-40
25	8	X-01-272-25			



**WKREĆ KOMPRESYJNY
KANIULOWANY
COMPRESSION
CANNULATED SCREW**



L (mm)	A (mm)	☼	L (mm)	A (mm)	☼
10	4	X-01-294-10	23	4	X-01-294-23
11	4	X-01-294-11	24	5	X-01-294-24
12	4	X-01-294-12	25	5	X-01-294-25
13	4	X-01-294-13	26	5	X-01-294-26
14	4	X-01-294-14	27	6	X-01-294-27
15	4	X-01-294-15	28	6	X-01-294-28
16	4	X-01-294-16	29	6	X-01-294-29
17	4	X-01-294-17	30	7	X-01-294-30
18	4	X-01-294-18	32	7	X-01-294-32
19	4	X-01-294-19	34	8	X-01-294-34
20	4	X-01-294-20	36	9	X-01-294-36
21	4	X-01-294-21	38	9	X-01-294-38
22	4	X-01-294-22	40	10	X-01-294-40



**WKREĆ KOMPRESYJNY
KANIULOWANY
COMPRESSION
CANNULATED SCREW**

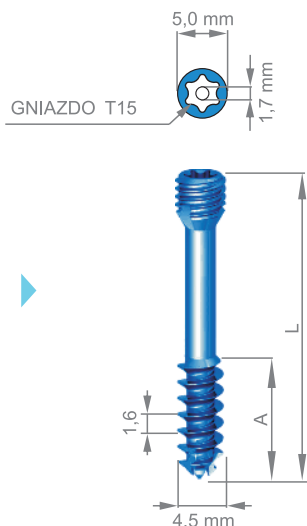


L (mm)	A (mm)	☼	L (mm)	A (mm)	☼
16	5	X-01-295-16	26	10	X-01-295-26
17	6	X-01-295-17	27	10	X-01-295-27
18	6	X-01-295-18	28	10	X-01-295-28
19	7	X-01-295-19	29	10	X-01-295-29
20	7	X-01-295-20	30	12	X-01-295-30
21	8	X-01-295-21	32	12	X-01-295-32
22	8	X-01-295-22	34	14	X-01-295-34
23	8	X-01-295-23	36	14	X-01-295-36
24	8	X-01-295-24	38	16	X-01-295-38
25	8	X-01-295-25	40	16	X-01-295-40



**WKREĆ KOMPRESYJNY
KANIULOWANY
COMPRESSION
CANNULATED SCREW**

L (mm)	A (mm)	☼	L (mm)	A (mm)	☼
20	7	X-01-273-20	52	10	X-01-273-52
22	7	X-01-273-22	54	11	X-01-273-54
24	7	X-01-273-24	56	11	X-01-273-56
26	7	X-01-273-26	58	11	X-01-273-58
28	7	X-01-273-28	60	12	X-01-273-60
30	7	X-01-273-30	65	13	X-01-273-65
32	7	X-01-273-32	70	14	X-01-273-70
34	7	X-01-273-34	75	15	X-01-273-75
36	7	X-01-273-36	80	16	X-01-273-80
38	7	X-01-273-38	85	17	X-01-273-85
40	8	X-01-273-40	90	18	X-01-273-90
42	8	X-01-273-42	95	19	X-01-273-95
44	9	X-01-273-44	100	20	X-01-273-100
46	9	X-01-273-46	105	21	X-01-273-105
48	9	X-01-273-48	110	22	X-01-273-110
50	10	X-01-273-50			

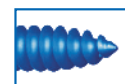


**WKREĆ KOMPRESYJNY
KANIULOWANY
COMPRESSION
CANNULATED SCREW**

L (mm)	A (mm)	☼	L (mm)	A (mm)	☼
30	12	X-01-274-30	56	22	X-01-274-56
32	12	X-01-274-32	58	22	X-01-274-58
34	12	X-01-274-34	60	24	X-01-274-60
36	14	X-01-274-36	65	26	X-01-274-65
38	14	X-01-274-38	70	28	X-01-274-70
40	16	X-01-274-40	75	30	X-01-274-75
42	16	X-01-274-42	80	32	X-01-274-80
44	18	X-01-274-44	85	34	X-01-274-85
46	18	X-01-274-46	90	36	X-01-274-90
48	18	X-01-274-48	95	38	X-01-274-95
50	20	X-01-274-50	100	40	X-01-274-100
52	20	X-01-274-52	105	42	X-01-274-105
54	22	X-01-274-54	110	44	X-01-274-110



**WKREĆ KOMPRESYJNY
COMPRESSION SCREW**



L (mm)	A (mm)	☼
8	4	X-01-278-08
9	4	X-01-278-09
10	4	X-01-278-10
11	4	X-01-278-11
12	4	X-01-278-12
13	4	X-01-278-13
14	4	X-01-278-14
15	4	X-01-278-15
16	5	X-01-278-16
17	5	X-01-278-17
18	5	X-01-278-18
19	5	X-01-278-19
20	6	X-01-278-20